

The logo for NASH, featuring the word "NASH" in a bold, blue, sans-serif font. A thin, curved line arches over the letters "A" and "S".

**NASH**

*A Gardner Denver Product*

A dark brown horizontal banner containing the title text in white, bold, sans-serif font.

**Vacuum Pumps and Compressors for  
Filter Applications**



# NASH Vacuum Pumps & Compressors for Filter Applications

## Industry Workhorses

Nash liquid ring vacuum pumps and compressors produced by Gardner Denver Nash have been used in many industrial applications for more than 100 years. They are known as tireless workhorses, designed to stand up to the rigorous, nonstop demands of the harshest industrial environments. Built better than industry standards, NASH pumps are known for their reliability.

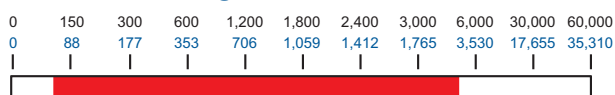
Nash pumps are manufactured to ISO 9001:2000 standards and are Category 2 ATEX compliant. Nash's commitment to excellence and customer service extends from manufacturing and installation to technical assistance and beyond. Service and distribution centers are located throughout the world, offering quality service and support for Nash products.

NASH Features	User Benefits
Ability to handle process carryover or recycled gases	Increased operating efficiency and reduced operating costs
Long design life	Highest reliability
No internal lubrication required	Less maintenance required; less downtime
No metal-to-metal contact	Simple operation; wear-free performance
Cool Running	Incoming vapor is condensed. Smaller, less costly equipment can be selected
Only one moving part	Simple and trouble-free operation
Proven energy efficient design	Lower operating costs, year after year
Over a century of engineering and application experience	Optimal system design for all filtration requirements

## Vacuum Pump Capacity Range

actual m<sup>3</sup>/hr • ft<sup>3</sup>/min

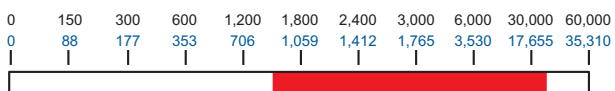
### Vectra & SC Range



Vacuum to 31 mbar A • 29+” HgV

- Vectra Series . . . . . Ductile Iron, Stainless Steel
- SC Series . . . . . Ductile Iron, Stainless Steel

### 2BE, P2620, 904 & CL Range



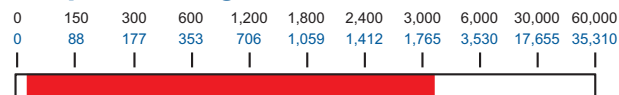
Vacuum to 200 mbar A • 24” HgV

- 2BE Series . . . . . Cast Iron, Stainless Steel
- 904 Series . . . . . Cast Iron, Stainless Steel
- CL Series . . . . . Cast Iron, Stainless Steel

## Compressor Capacity Range

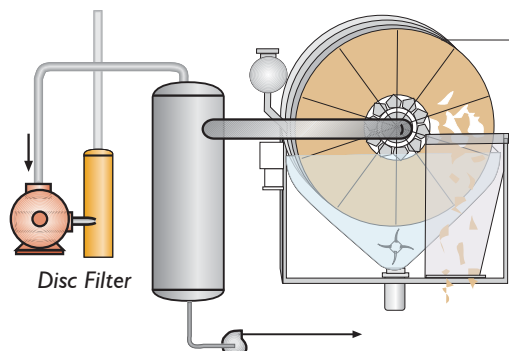
N m<sup>3</sup>/hr • SCFM

### Compressor Range



Pressure to 1.5 bar abs - 22 PSIG

- Vectra Series . . . . . Cast Iron, Stainless Steel
- SC Series . . . . . Cast Iron, Stainless Steel
- CL Series . . . . . Cast Iron, Stainless Steel
- 2BE Series . . . . . Cast Iron, Stainless Steel



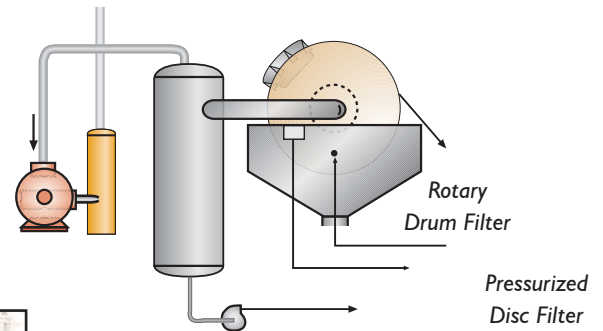
# NASH Vacuum Pumps & Compressors for Filter Applications

Application	Drum	Drum Precoat	Disc	Horiz. Belt	Table	Tilting Pan
Chemical processing	x	x	x	x	x	x
Catalysts				x		
Pharmaceuticals	x	x				
Mining & mineral processing	x			x	x	
Alumina (red mud)	x	x				
Aluminum Hydrate			x			x
Aluminum seed filter			x			
Coal			x	x		
Copper concentrate			x			
Gypsum	x					
Hematite			x			
Iron ore taconite			x			
Kaolin Clay	x					
Metal Hydroxide waste	x					
Molybdenum			x			
Oily and chemical wastes		x				
Phosphate					x	
Phosphoric Acid				x		x
Polishing		x				
Potash				x		
Pyrite flotation concentrates			x			
Tank wash		x				
Titanium Dioxide	x					

Brochure photos courtesy of: Andritz AG, Delkor, Dorr Oliver Eimco, Larox, RPA, WesTech



Disc Filter



Pressurized Disc Filter

Table Filter



Tilting Pan Filter

# NASH Vacuum Pumps & Compressors for Filter Applications

Application	Drum	Drum Precoat	Disc	Horiz. Belt	Tray	Tilting Pan
Agricultural products				x		
Corn	x			x		
Corn syrup		x				
Food processing	x	x	x			
Poultry		x				
Sugar cane					x	
Industrial water treatment	x			x		
Dewatering very dense or granular materials					x	
Pulp & Paper manufacturing	x	x	x			
Lime mud		x				
Paper recausticizing process		x	x		x	
Pulp manufacturing	x					x

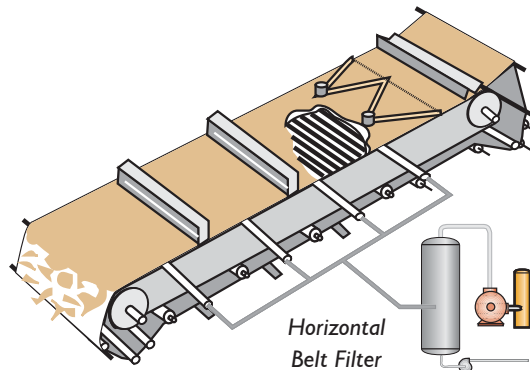
Rotary Drum Filter



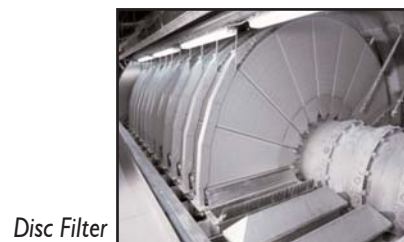
Horizontal Belt Filter



Tray Filter



Horizontal Belt Filters



Disc Filter

# NASH Vacuum Pumps & Compressors for Filter Applications

## Filtration

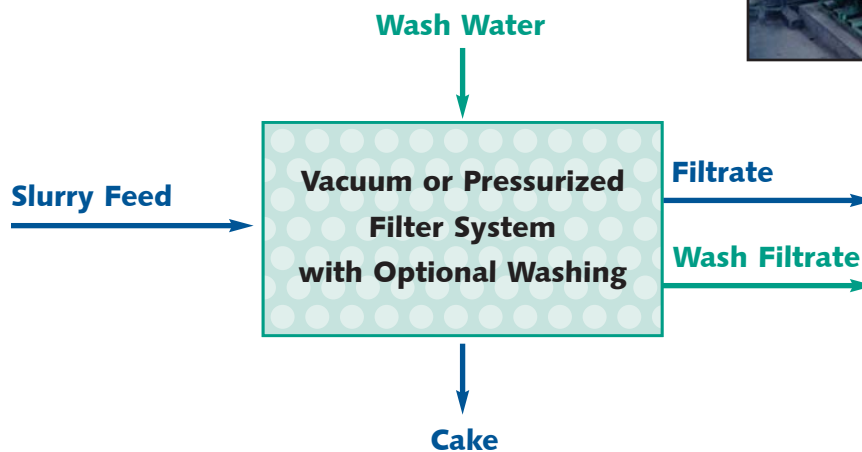
Filtration is the process of separating solid particles from a liquid slurry. All forms of filtration require a pressure differential to make the liquid pass through a porous filter medium/membrane. Some processes apply a vacuum to the underside of the filter medium in order to draw the liquid through. Other processes apply a compressed gas to the slurry side of the filter medium to force the liquid through.

For every application, the solid's particle size, quantity and properties have to be carefully assessed to decide what type of filter will be most suitable and what filter medium should be used. Various filtration techniques have been developed to meet the requirements of many different industrial applications.

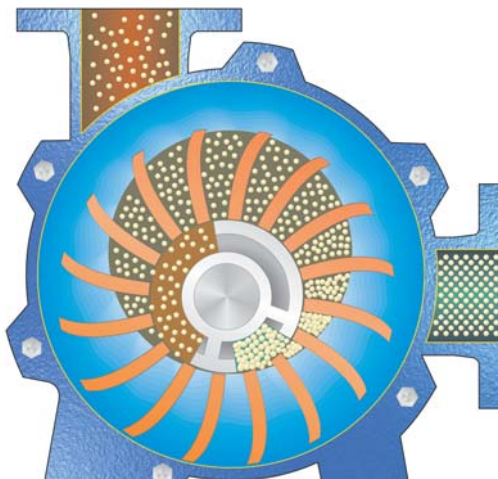
**In every filtration application, a Nash liquid ring vacuum pump or compressor can reduce operating costs and minimize downtime.**



*Drum Filter Vacuum System*



## A Nash Liquid Ring Filtration System - BUILT TO LAST



### Reliable

- continuous operation
- increased operating efficiency
- reduced operating costs

### One Moving Part

- reduced downtime in harsh operating conditions or locations
- reduced maintenance costs

### High Volume Solids Recovery

- removal of liquid contaminants from the cake without danger to the air/gas handling equipment
- fractionated filtrate flows

### Various Materials of Construction

- to satisfy many industrial application requirements

## Other NASH Products

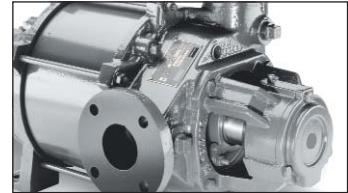
### 2BE3/P2620

Large liquid ring vacuum pumps with superior corrosion resistance  
 Top discharge capability which eliminates need for trench  
 Self-recirculating seal water, reducing need for external seal water source  
 Capacity of 4,000 to 23,000 CFM with vacuum to 24" HgV  
 Capacity of 6,800 to 39,000 m<sup>3</sup>/h with vacuum to 200 mbar abs



### Vectra

Liquid ring vacuum pumps and compressors  
 Available in feature rich budget designs (XL or GL)  
 Designed to handle high back pressure requirements  
 Capacity of 115 to 2,860 CFM with vacuum to 29+ HgV  
 Capacity of 195 to 4,860 m<sup>3</sup>/h with vacuum to 31 mbar abs



### TC/TCM

Integral 2 stage liquid ring pumps with improved performance at vacuum levels down to 0.8" HgA (27 mbar)  
 Designed to handle large amounts of liquid carryover without difficulty  
 Capacity of 100 to 2,240 CFM with vacuum to 0.8" HgA  
 Capacity of 170 to 3,740 m<sup>3</sup>/h with vacuum to 27 mbar



### Service

We have the know-how, the expertise and the specialists. We provide professional service to make your pumps run for decades. Our service centers are located in:

- Australia
- Brazil
- China
- France
- Germany
- Korea
- Netherlands
- Singapore
- South Africa
- Sweden
- UK
- USA



### Compressors

Wide range of liquid ring compressors designed for many applications. Rugged and reliable, they can handle highly toxic, explosive and corrosive gases  
 Specifically developed for applications such as flare-gas, Chlorine and Vinyl Chlorine Monomer (VCM) recovery  
 Capacity of 60 to 2,200 SCFM with pressure to 200 PSIG  
 Capacity of 100 to 3,740 m<sup>3</sup>/h with pressure to 15 bar abs  
 Single and two stage models available



### Gardner Denver Engineered Products Div.

9 Trefoil Drive  
 Trumbull, CT 06611 U.S.A.  
 phone: 203 459 3900  
 +1 800 553 NASH  
 fax: +1 203 459 3988  
 nash@gardnerdenver.com  
 www.GDNash.com